

Sink Diade

Kitchen Sinks

Code: 3028 000



DETAILS

Edge/Installation Type Flush-mount | Top-mount

Material AISI 304 stainless steel

Texture Brushed in line

Finish Foster brushed

Base 90 cm

Width 80 cm

Dimensions 800 x 440 mm

Bowl dimension 760 x 400 mm

Built-in hole [View technical data sheet](#)

Standard fittings Fixing hooks, gasket, drain, overflow and siphon, boxed packing

Mixer holes No standard holes

Drainer No

Number of bowls 1 bowl

Waste fitting 3,5" drain

FEATURES

Basket 3,5" waste fitting The drain is equipped with a large 3.5" drain, with the practical basket cap that prevents the discharge of solid parts.

Deep bowls This bowls reach an important depth, over 20 cm, thanks to the advanced production technology, that can be offer great capiciency and practicity in all the washing operations.

High thickness 1mm thick steel. A significant thickness, which guarantees the maximum sturdiness and durability.

MOULDED BOTTOM The moulded bottom guarantees perfect water flow and facilitates cleaning operations thanks to the perimeter step with sloping walls.

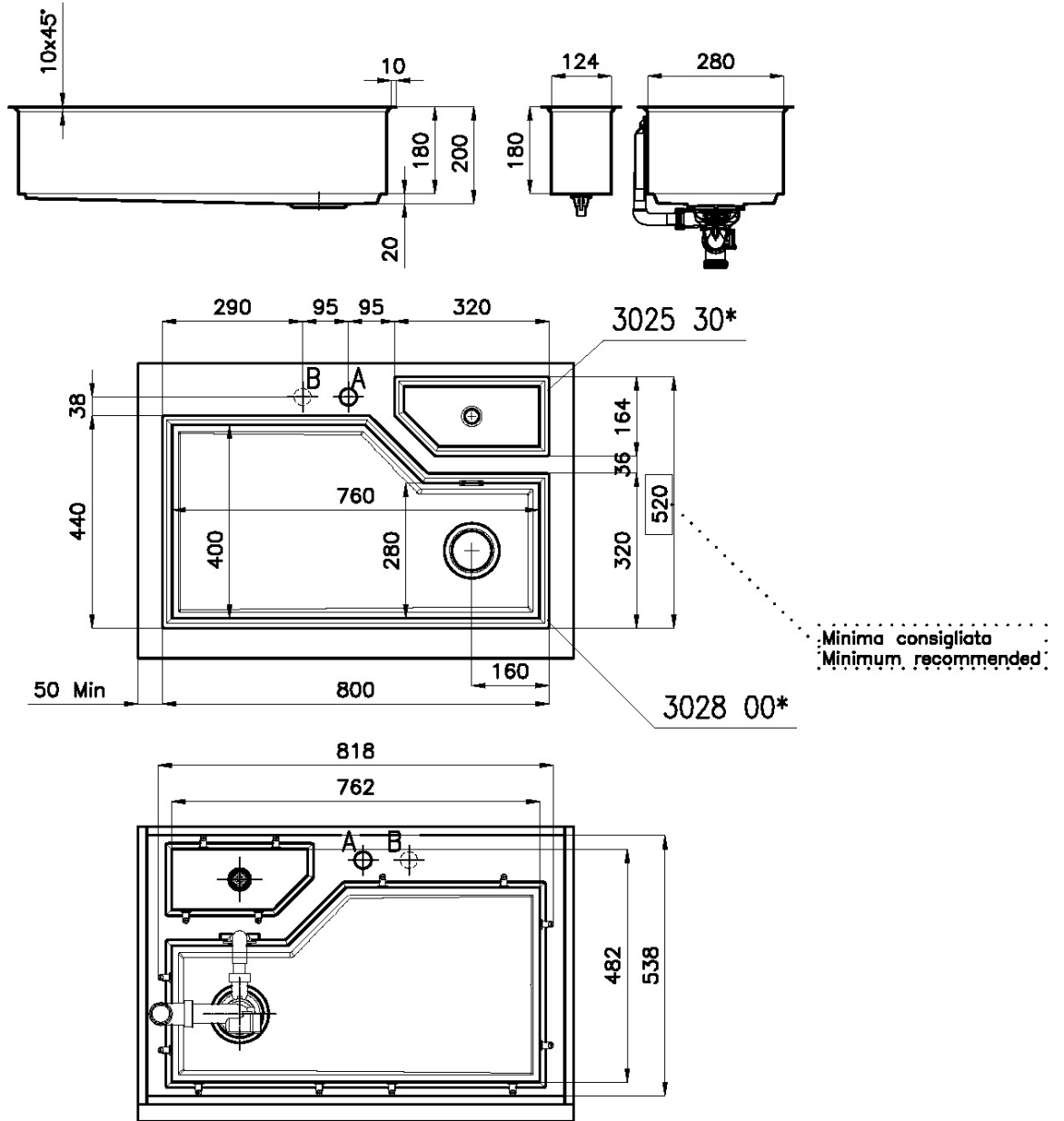
Perimetral overflow The overflow is always a security on the Foster sinks that prevents the overflow of water in case of oversights. The perimeter drain solution improves aesthetics thanks to its square and essential shape.

Save space system Drain and siphon are designed to leave as much space as possible in the under-sink area, more and more useful today for theseparate waste collection systems.

Space waste fitting The elegant SPACE steel cap closes the drain and leaves no visible residues collected in the basket below. Space also has a small footprint and allows the optimal use of the under-sink compartment.

TECHNICAL DATA

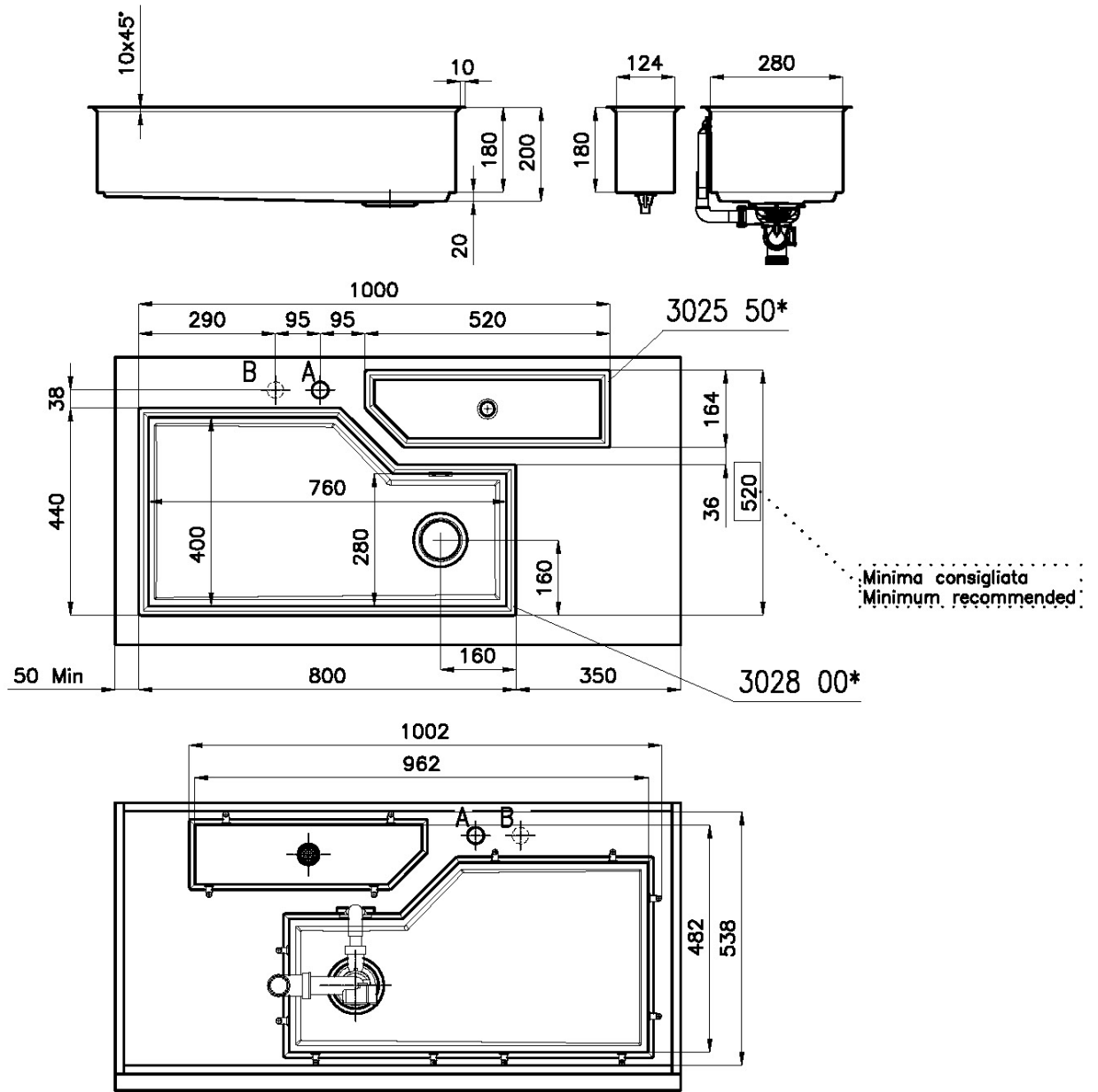
Filotop/Sopratop | Flush-mount/Drop-in-mount
Base 90 | 90 Cabinet



A: Foro Mix/Mixer tap cut-out

B: Foro comando automatico piletta/Automatic waste-fitting command cut-out

Filotop/Sopratop | Flush-mount/Drop-in-mount Base 120 | 120 Cabinet

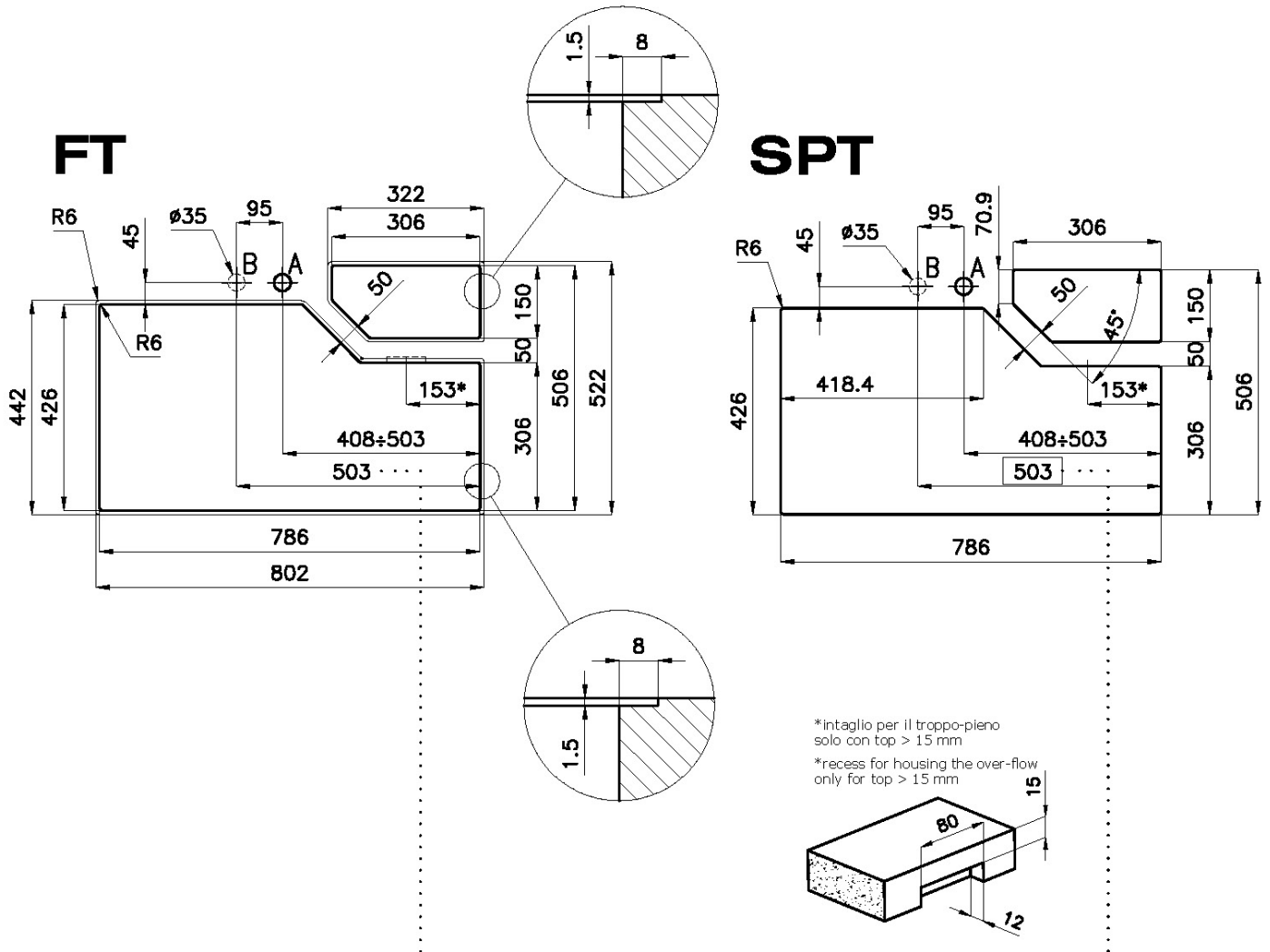


A: Foro Mix/Mixer tap cut-out

B: Foro comando automatico piletta/Automatic waste-fitting command cut-out

Filotop/Sopratop | Flush-mount/Drop-in-mount Base 90 | 90 Cabinet

Cut out size
Dimensioni per foratura top



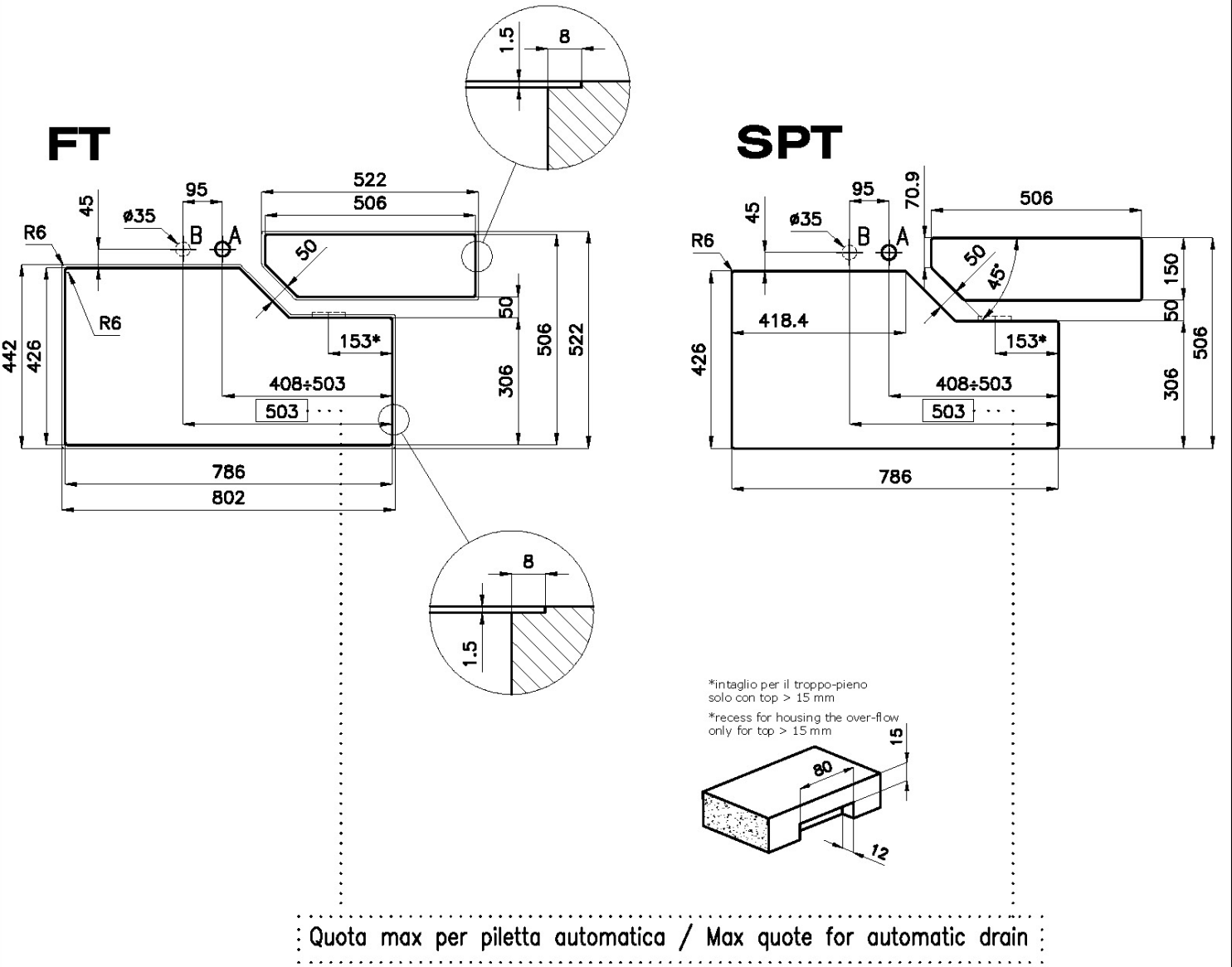
*intaglio per il troppo-pieno solo con top > 15 mm
*recess for housing the over-flow only for top > 15 mm

Quota max per piletta automatica / Max quote for automatic drain

sink thickness/spessore acciaio 1

Filotop/Sopratop | Flush-mount/Drop-in-mount Base 120 | 120 Cabinet

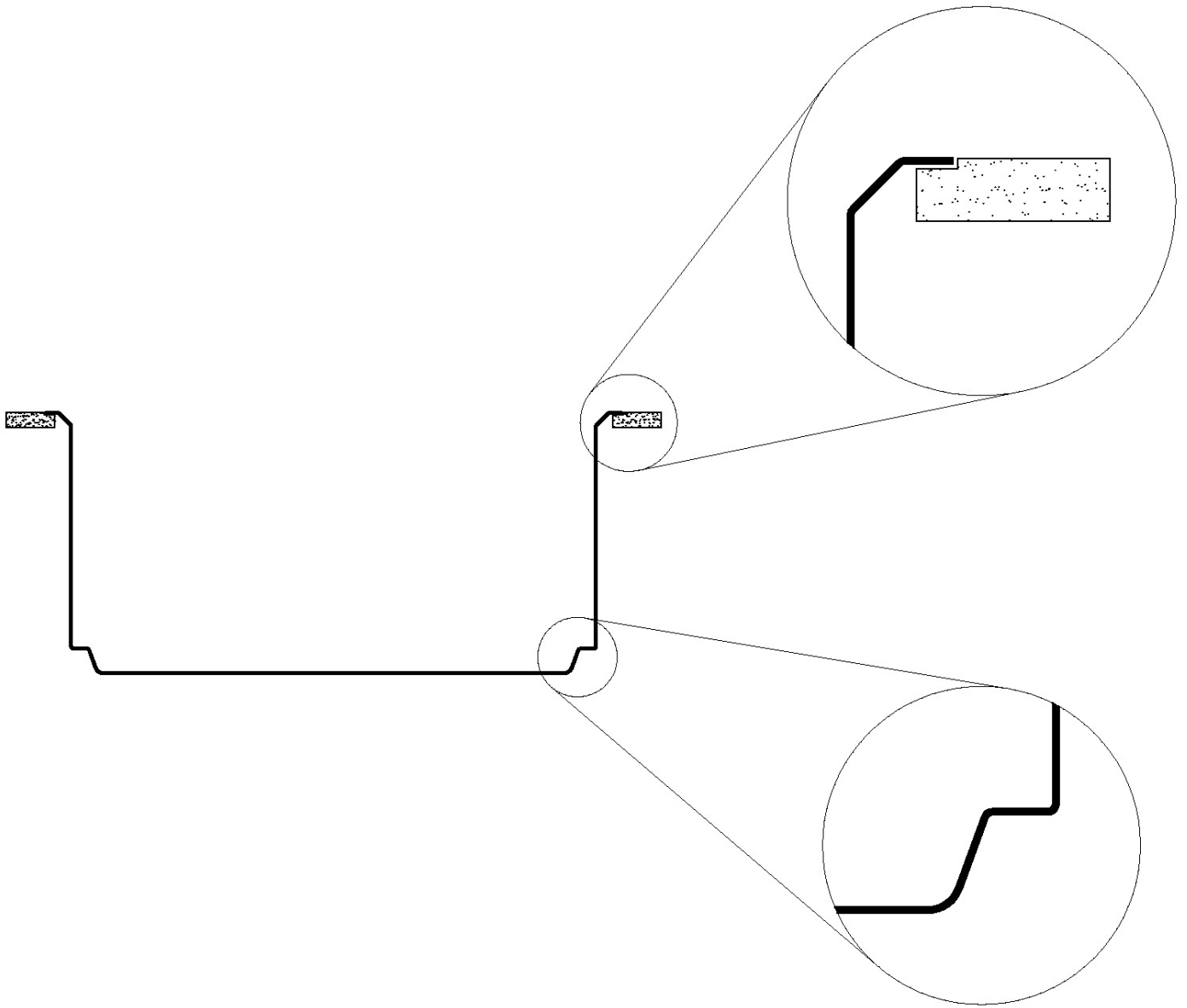
Cut out size
Dimensioni per foratura top



sink thickness/spessore acciaio

1

FILOTOP / SOPRATOP



GALLERY



EQUIPMENT



Black multifunction chopping board

8100 608

OPTIONAL ACCESSORIES



Stainless steel perforated tray
8151 001



Black lid
8151 005



Stainless steel colander
8151 010



Iroko-wood round chopping board
8642 005

RECOMMENDED PAIRINGS



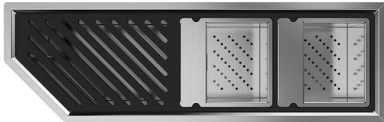
VOLTA
8491 100



Dispenser Evo Satin
8520 100



Diade equipped troughs
8100 800



Diade equipped troughs
8100 801



Diade equipped troughs
8100 802

OPTIONAL AUTOMATIC WASTE FITTINGS



Space Push automatic waste fitting
- PP
8407 116